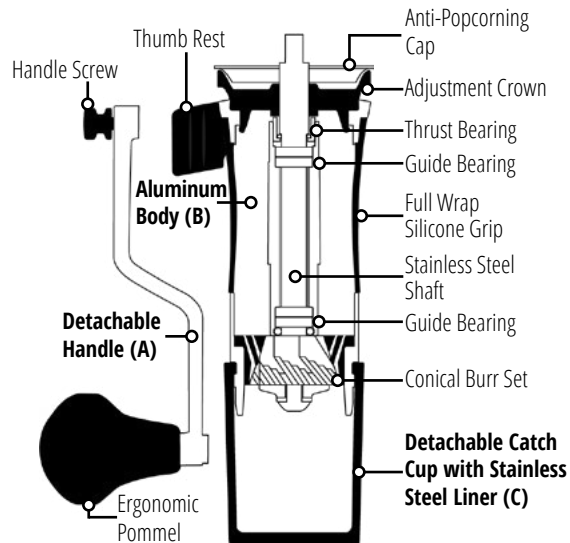


What's Included in Your Royal Grinder

The Royal grinder consists of three major sections: (A) a detachable aluminium handle, (B) a precision-milled aluminum body, (C) and a detachable stainless steel catch cup.



Adjusting Your Grind

Lift, Turn & Lock Adjustment Crown

Maximum Dose: 30 grams

Minimum Grind Adjustment: .02mm

1. **Lift** crown up until you "feel" a click and it is fully disengaged from the base.



2. **Turn** crown to adjust grind size.

⊕ Clockwise (increasing numbers) increases grind size.

⊖ Counter - Clockwise (decreasing numbers) Decreases grind size.



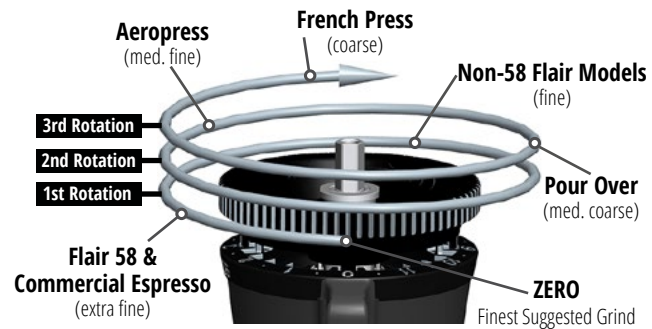
3. **Lock** grind adjustment by pushing crown down until it clicks into base.



Dialing-In Your Grind

Three full rotations & 72 individual adjustments

Your Royal grinder has 72 adjustments across three rotations of the adjustment crown: or 24 micro-settings per rotation. You will receive your grinder set to ZERO. Your grinder will lock up to the right of zero (rotating your adjustment crown counter-clockwise). **Note: Never try to force adjustment crown below Lock Up position.** The lock up position may decrease over time as your grinder seasons.



NOTE: Grind settings will vary based on brew method, desired dose, bean type and roast. Dial-in to your preferences.



Royal Grinder Tips & Tricks

30 **BREAK-IN PERIOD FOR BURRS TO SEASON**
GRINDS Don't remove burrs until after 30 grinds!

 **YOUR GRINDER HATES WATER!!**
Never wash your Royal under a faucet or sink.



HOLD YOUR GRINDER CORRECTLY!
Hold your grinder up high, covering the silicone grip, and use the thumb rest to counter balance the rotational force of the crank handle.



AVOID SPILLING GROUNDS!
Tilt Grinder to Remove Catch Cup
Grip catch cup with thumb at ***BREAK POINT**. Tilt grinder body back towards thumb to detach.

Watch our Tutorials Online!
Find out how to change your burrs!



Scan for Tutorials



28 Hammond Street, Suite B
Irvine, CA, 92618 USA
© Intact Idea, All Rights Reserved

Flair is a trademark of Intact Idea, LLC
Designed in California
Made in China

The **Royal** Grinder **QUICK START GUIDE**



Video Tutorials



Video Tutorials: <https://flairespresso.com/learn/tutorials/>
Contact Flair: service@flairespresso.com